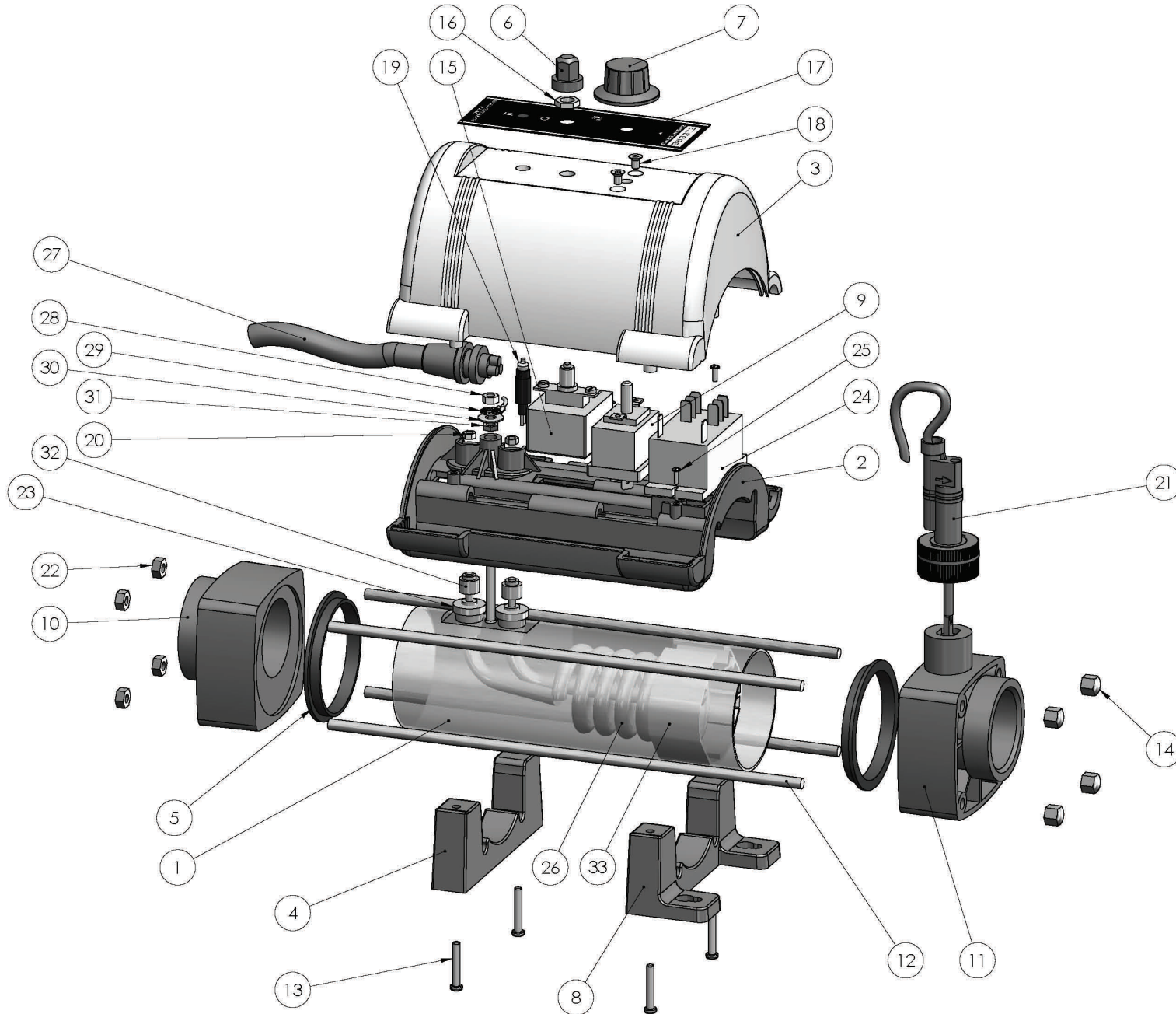


Nano Splasher Pool Heater



Item No	Description
1	Flow Tube
2	Electrical Bottom Cover / Bridge
3	Electrical Top Cover
4	Lower Foot (Without Key Hole Hooks)
5	TPE End Fitting Gasket
6	Thermal Safety Cut-Out Cover
7	Control Thermostat Dial
8	Upper Foot (With Key Hole Hooks)
9	Control Thermostat
10	Left End Fitting (Non F/S)
11	Right End Fitting (F/S)
12	273-mm M6 Tie Bar
13	M4 x 25-mm Zinc Coated Pozi Pan Screw
14	M6 Cap Nut
15	Thermal Safety Cut Out (Manual Reset)
16	M8 Hex Nut (For Thermal Cut Out)
17	Nano Ops Panel Overlay
18	M4 x 6-mm S/S CSK
19	Neon Indicator Lamp
20	M4 Hex Nut
21	Nano Splasher Flow Switch
22	M6 S/S Hex Nut
23	EPDM Element Ferrule
24	Schneider Electric DPDT Relay
25	M3 x 14 -mm FLG Pozi Zinc Coated
26	Heating Element
27	Power Supply Lead
28	M5 S/S Full Hex Nut
29	M5 S/S Locking Washer
30	Earth Ring Terminal
31	M5 S/S Half Hex Nut
32	Stepped Element Washer
33	Element Support